

ACCESSORIES

COLLECTIONS

PAG. 634

HOTELLERIE

PAG. 642

T COLLECTION

PAG. 648

DOMINO Q - LINE

INFORMAZIONI TECNICHE

Technical details



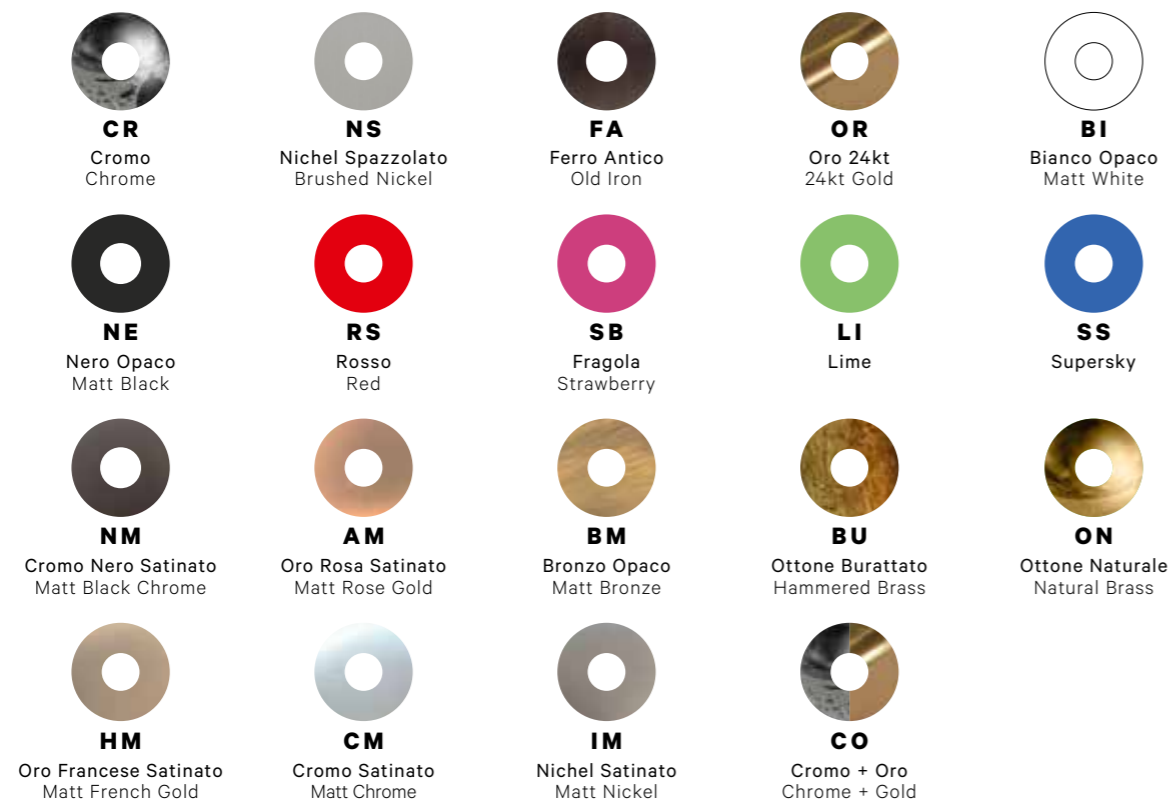
FINITURE E COLORI

Finishes and colours

NOTA FINITURE FA / TT: I prodotti nelle finiture Ferro Antico (FA) e Terra di Toscana (TT) vengono realizzati con trattamenti manuali e, data la particolare lavorazione artigianale, possono presentare una colorazione non uniforme.

FINISHES NOTE FA / TT: Products in Ferro Antico (FA) and Terra di Toscana (TT) finish are made with manual treatments and may therefore display colour variations due to the particular craftsmanship.

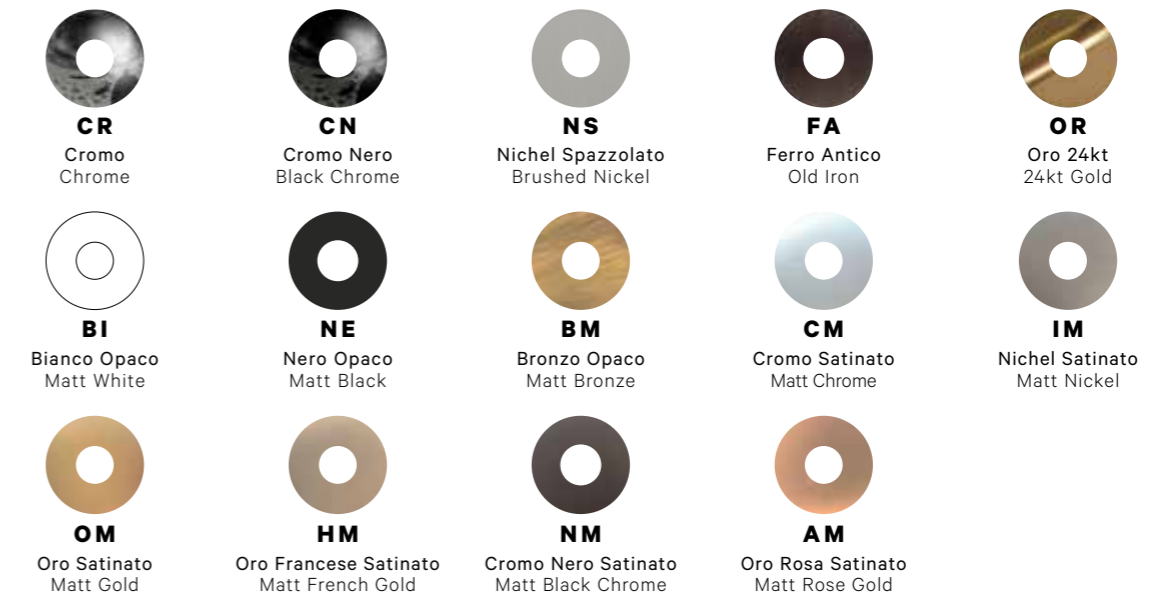
HOTELLIERE



T COLLECTION



DOMINO Q



HOTELLERIE
ON

Art. 44001NS00

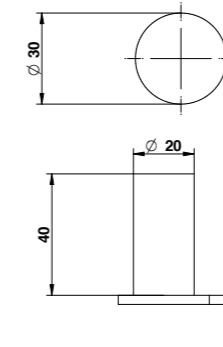
FINITURE E COLORI / FINISHES AND COLOURS



44001

Porta abito.

Robe hook.



ARTICOLO COMPLETO / COMPLETE ITEM

44001CR00

CR

44001NE00

BI/NE

44001LI00

NS/RS/SS/SB/LI

44001HM00

OR/NM/BM/HM

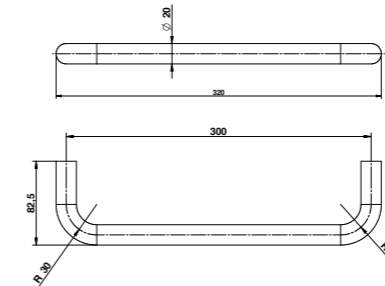
44001AM00

AM

44007/30

Porta asciugamano 300 mm.

300 mms. towel rail.



ARTICOLO COMPLETO / COMPLETE ITEM

44007CR30

CR

44007NE30

BI/NE

44007LI30

NS/RS/SS/SB/LI

44007HM30

OR/NM/BM/HM

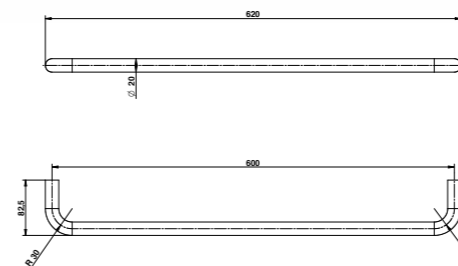
44007AM30

AM

44007/60

Porta asciugamano 600 mm.

600 mms. towel rail.



ARTICOLO COMPLETO / COMPLETE ITEM

44007CR60

CR

44007NE60

BI/NE

44007LI60

NS/RS/SS/SB/LI

44007HM60

OR/NM/BM/HM

44007AM60

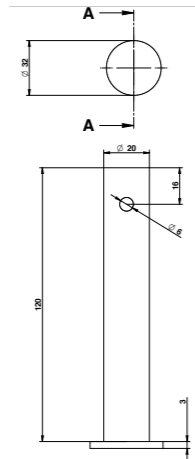
AM

ACCESSORI E RICAMBI / ACCESSORIES AND SPARE PARTS

BICCHIERE
GLASSPOMPETTA DISPENSER
DISPENSER PUMPPORTA SAPONE
SOAP HOLDERVASO SCOPINETTO
BRUSHED POTSCOPINETTO
PLASTIC BRUSHED

44009

Porta rotolo. Toilet paper holder.

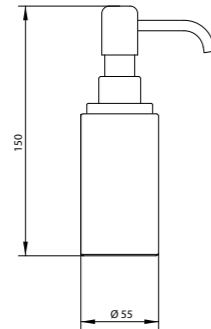


ARTICOLO COMPLETO / COMPLETE ITEM

- 44009CR00**
CR
- 44009NE00**
BI/NE
- 44009LI00**
NS/RS/SS/SB/LI
- 44009HM00**
OR/NM/BM/HM
- 44009AM00**
AM

30027

Porta dispenser appoggio. Soap dispenser to lean.



ARTICOLO COMPLETO / COMPLETE ITEM

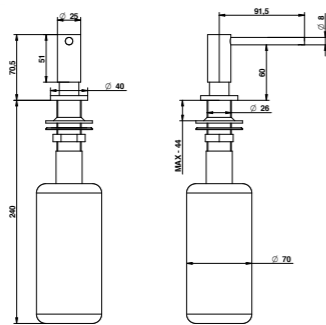
- 30027CR00**
CR
- 30027IM00**
BI/NE/NS/RS/SS/SB/LI/BU/ON/CM/IM
- 30027HM00**
OR/NM/BM/HM
- 30027AM00**
AM

RICAMBI / SPARE PARTS

- 30698CR**

30698/DA

Dispenser da piano. Deck dispenser.



ARTICOLO COMPLETO / COMPLETE ITEM

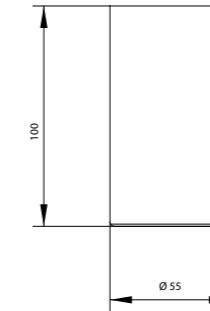
- 30698CRDA**
CR
- 30698NEDA**
NS/BI/NE
- 30698CNDA**
OR/NM/AM/CN

RICAMBI / SPARE PARTS

- 30695CR**

30022

Porta bicchiere appoggio. Glass holder to lean.



ARTICOLO COMPLETO / COMPLETE ITEM

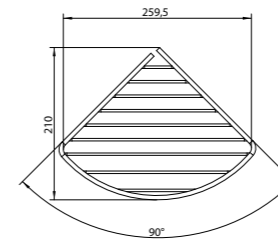
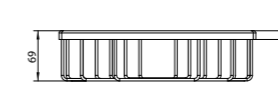
- 30022CR00**
CR
- 30022IM00**
NE/NS/RS/SS/SB/LI/BI/BU/ON/CM/IM
- 30022HM00**
OR/NM/BM/HM
- 30022AM00**
AM

RICAMBI / SPARE PARTS

- 30697**

30011

Cestello singolo ad angolo in ottone. Brass corner basket soap holder.

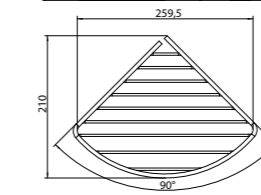
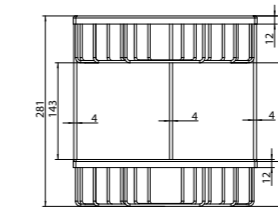


ARTICOLO COMPLETO / COMPLETE ITEM

- 30011CR00**
CR
- 30011NS00**
BI/NE/NS
- 30011FA00**
OR/HM/NM/FA
- 30011AM00**
AM

30021

Cestello doppio ad angolo in ottone. Double brass corner basket soap holder.



ARTICOLO COMPLETO / COMPLETE ITEM

- 30021CR00**
CR
- 30021NS00**
BI/NE/NS
- 30021FA00**
OR/HM/NM/FA
- 30021AM00**
AM

FINITURE E COLORI / FINISHES AND COLOURS



ACCESSORI E RICAMBI / ACCESSORIES AND SPARE PARTS

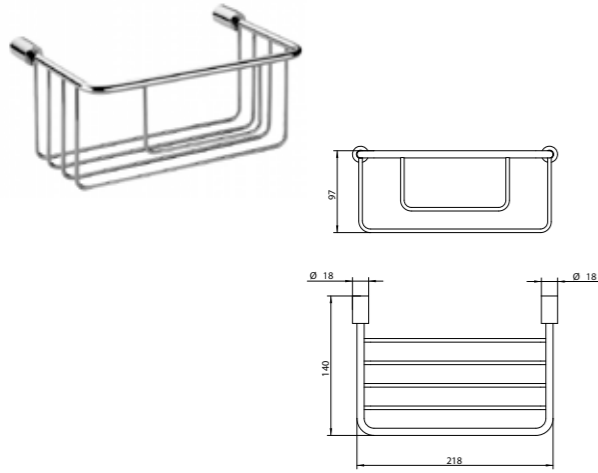


WELLNESS
SHOWER HEAD
SHOWER ARMS
BODY JET
SLIDING RAIL
WATER SUPPLIES
SHOWER COLUMNS
HYDROBRUSHED TOILET SET
MIXER
ACCESSORIES
FURNITURE AND SPOUTS
COMPLEMENTS

30017

Cestello rettangolare.

Rectangular basket.



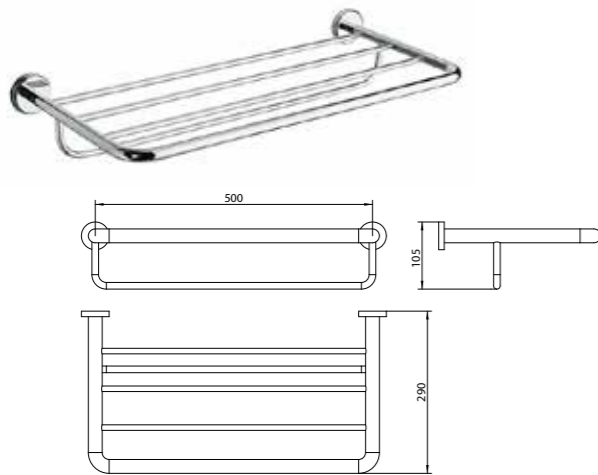
ARTICOLO COMPLETO / COMPLETE ITEM

30017CR00
CR30017NS00
BI/NE/NS30017HM00
OR/NM/BM/HM30017AM00
AM

04101

Griglia porta teli 500 mm.

Mms. 500 towel shelf.



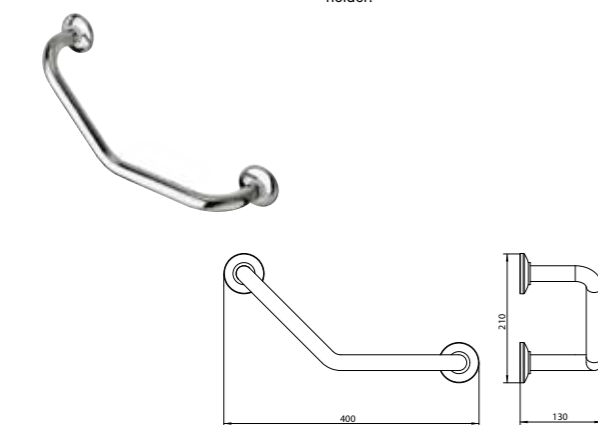
ARTICOLO COMPLETO / COMPLETE ITEM

04101CR00
CR04101NE00
BI/NE04101NS00
NS04101HM00
OR/BM/HM04101AM00
AM

04104

Maniglione per vasca.

Grab-bar for bath tub without soap holder.



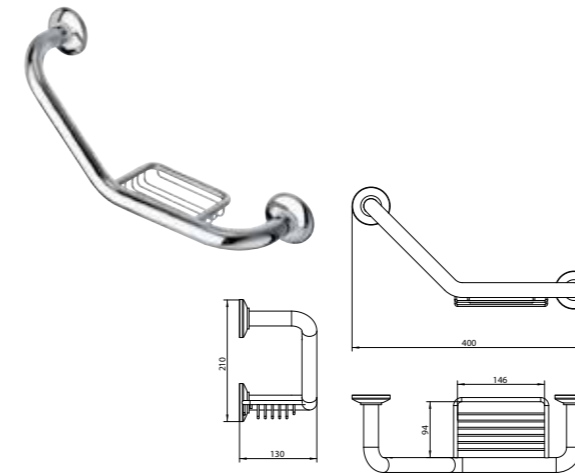
ARTICOLO COMPLETO / COMPLETE ITEM

04104CR00
CR04104NE00
BI/NE04104NS00
NS04104BM00
BM04104FA00
OR/HM/NM/FA04104AM00
AM

04104/S

Maniglione per vasca con cestino porta sapone.

Grab-bar for bath tub with soap holder.



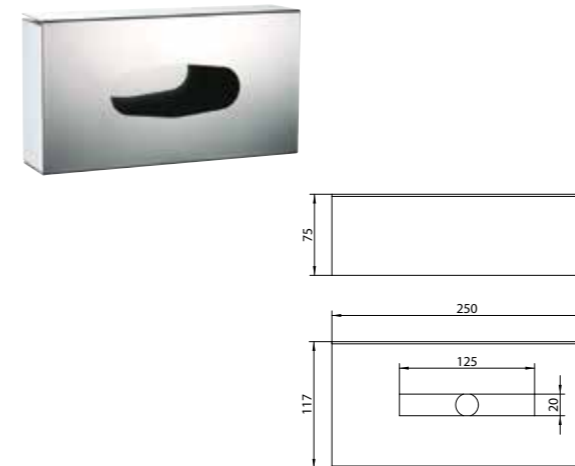
ARTICOLO COMPLETO / COMPLETE ITEM

04104CR0S
CR04104NE0S
BI/NE04104NS0S
NS04104BM0S
BM04104FA0S
OR/HM/NM/FA04104AM0S
AM

04103

Contenitore porta fazzoletti muro/ appoggio in acciaio.

Wall kleenex dispenser.



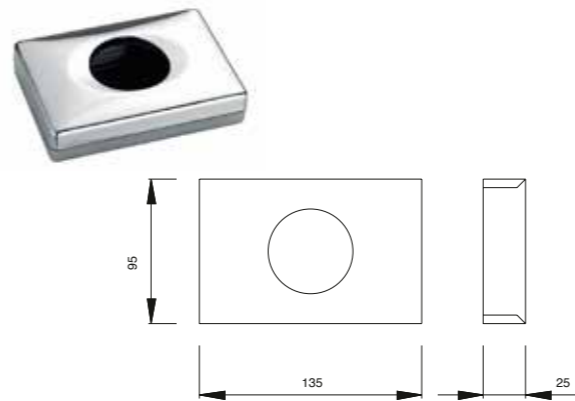
ARTICOLO COMPLETO / COMPLETE ITEM

04103CR00
CR04103NS00
NS04103NE00
BI/NE04103NM00
OR/HM/NM04103AM00
AM

04106

Distributore da muro/appoggio per sacchetti igienici.

Sanitary bags dispenser.



ARTICOLO COMPLETO / COMPLETE ITEM

04106CR00

CR

04106NE00

BI/NE

04106NS00

NS

04106NM00

OR/NM

04106AM00

AM

FINITURE E COLORI / FINISHES AND COLOURS

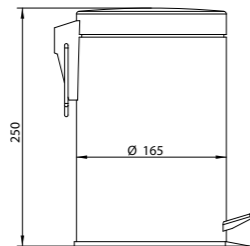


ACCESSORI E RICAMBI / ACCESSORIES AND SPARE PARTS

BICCHIERE
GLASSPOMPETTA DISPENSER
DISPENSER PUMPPORTA SAPONE
SOAP HOLDERVASO SCOPINETTO
BRUSHED POTSCOPINETTO
PLASTIC BRUSHED

04102

Porta rifiuti coperchio, a pedale 3 lt. 3 lt. Trash bin.

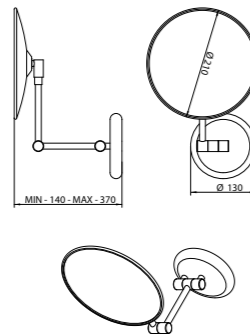


ARTICOLO COMPLETO / COMPLETE ITEM

04102CR00	CR
04102NE00	BI/NE
04102NS00	NS
04102NM00	OR/HM/NM
04102AM00	AM

04042

Specchio ingranditore a muro con braccio doppio Ø 21 cm. Ø. 21 mirror to the wall with double arm.

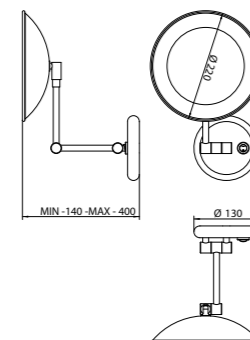


ARTICOLO COMPLETO / COMPLETE ITEM

04042CR00	CR
04042NE00	BI/NE
04042NS00	NS
04042NM00	OR/NM
04042AM00	AM

04042/LM

Specchio ingranditore a muro con braccio doppio e luce Ø 22 cm. Ø 22 cms. mirror the wall with double arm and light.



ARTICOLO COMPLETO / COMPLETE ITEM

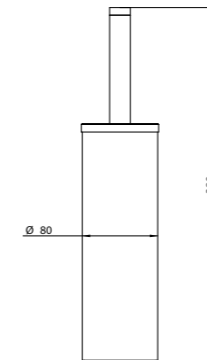
04042CRLM	CR
04042NELM	BI/NE
04042NSLM	NS
04042NMLM	OR/NM
04042AMLM	AM

FINITURE E COLORI / FINISHES AND COLOURS



21025

Porta scopino da appoggio. Toilet brush holder to lean.



ARTICOLO COMPLETO / COMPLETE ITEM

21025CR00	CR
21025CO00	CO
21025NE00	BI/NE
21025NS00	NS
21025BM00	BM
21025FA00	OR/HM/NM/FA
21025AM00	AM

RICAMBI / SPARE PARTS

	30720
--	--------------

ACCESSORI E RICAMBI / ACCESSORIES AND SPARE PARTS



WELLNESS
SHOWER HEAD
SHOWER ARMS
BODY JET
SLIDING RAIL
WATER SUPPLIES
SHOWER COLUMNS
HYDROBRUSHED TOILET SET
MIXER
ACCESSORIES
FURNITURE AND SPOUTS
COMPLEMENTS

T COLLECTION

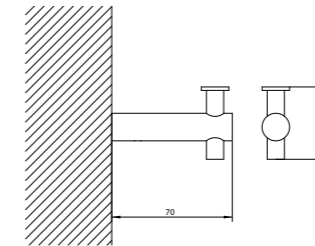


Art. 68439RSPR - Art. 30007RS40 - Art. 30023RS

30001

Porta abito.

Robe hook.



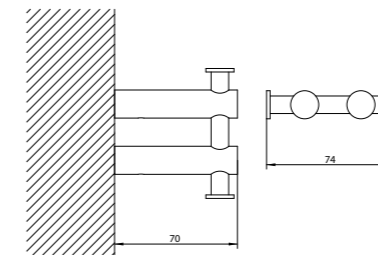
ARTICOLO COMPLETO / COMPLETE ITEM

30001CR00
CR30001BU00
BI/NE/NS/BU30001OR00
OR30001AM00
AM

30003

Porta abito doppio.

Double robe hook.



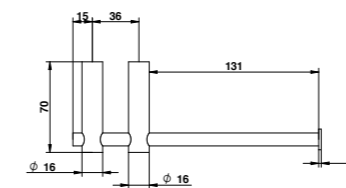
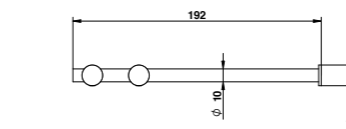
ARTICOLO COMPLETO / COMPLETE ITEM

30003CR00
CR30003BU00
BI/NE/NS/BU30003OR00
OR30003AM00
AM

30009/2

Porta rotolo.

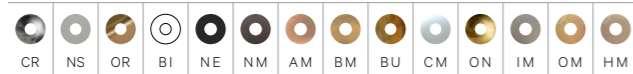
Toilet paper holder.



ARTICOLO COMPLETO / COMPLETE ITEM

30009CR02
CR30009BU02
BI/NE/NS/BU30009OR02
OR30009AM02
AM

FINITURE E COLORI / FINISHES AND COLOURS

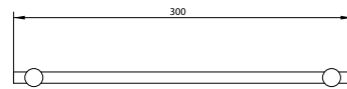
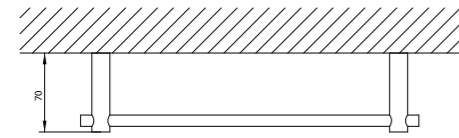


ACCESSORI E RICAMBI / ACCESSORIES AND SPARE PARTS

BICCHIERE
GLASSPOMPETTA DISPENSER
DISPENSER PUMPPORTA SAPONE
SOAP HOLDERVASO SCOPINETTO
BRUSHED POTSCOPINETTO
PLASTIC BRUSHED

30007/30

Porta asciugamano 300 mm. 30 mms. towel rail.

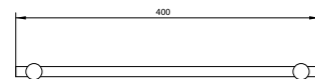
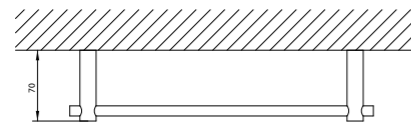


ARTICOLO COMPLETO / COMPLETE ITEM

30007CR30
CR30007BU30
BI/NE/NS/BU30007OR30
OR30007AM30
AM

30007/40

Porta asciugamano 400 mms. 400 cms. towel rail.

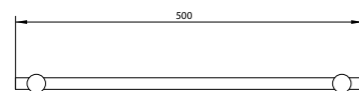
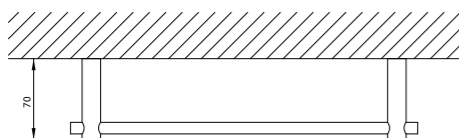


ARTICOLO COMPLETO / COMPLETE ITEM

30007CR40
CR30007BU40
BI/NE/NS/BU30007OR40
OR30007AM40
AM

30007/50

Porta asciugamano 500 mms. 500 mms. towel rail.

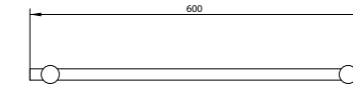
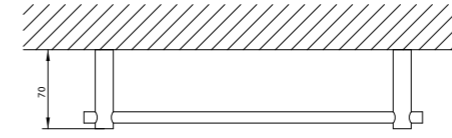


ARTICOLO COMPLETO / COMPLETE ITEM

30007CR50
CR30007BU50
BI/NE/NS/BU30007OR50
OR30007AM50
AM

30007/60

Porta asciugamano 600 mm. 600 mms. towel rail.



ARTICOLO COMPLETO / COMPLETE ITEM

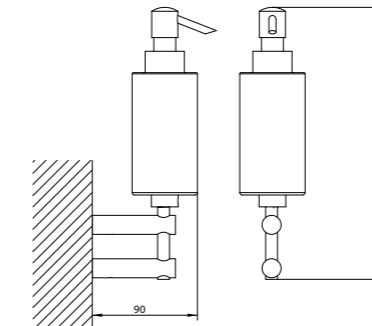
30007CR60
CR30007NE60
BI/NS/NE

30007BM60

30007OR60
OR30007AM60
AM

30023

Dispenser a muro con doppio supporto. Wall soap dispenser with double support.



ARTICOLO COMPLETO / COMPLETE ITEM

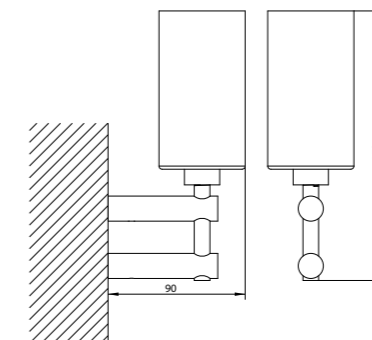
30023CR00
CR30023NS00
BI/NE/NS30023OR00
OR30023AM00
AM

RICAMBI / SPARE PARTS

30698

30013

Bicchiere a muro con doppio supporto. Wall glass with double support.



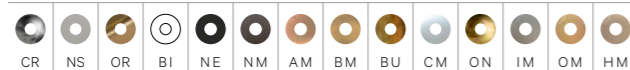
ARTICOLO COMPLETO / COMPLETE ITEM

30013CR00
CR30013NS00
BI/NE/NS30013OR00
OR30013AM00
AM

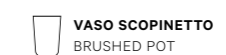
RICAMBI / SPARE PARTS

30697

FINITURE E COLORI / FINISHES AND COLOURS

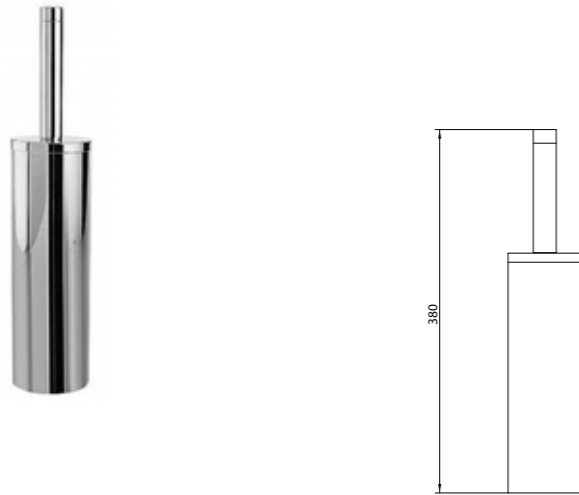


ACCESSORI E RICAMBI / ACCESSORIES AND SPARE PARTS



30025

Porta scopino appoggio. Toilet brush holder to lean.



ARTICOLO COMPLETO / COMPLETE ITEM

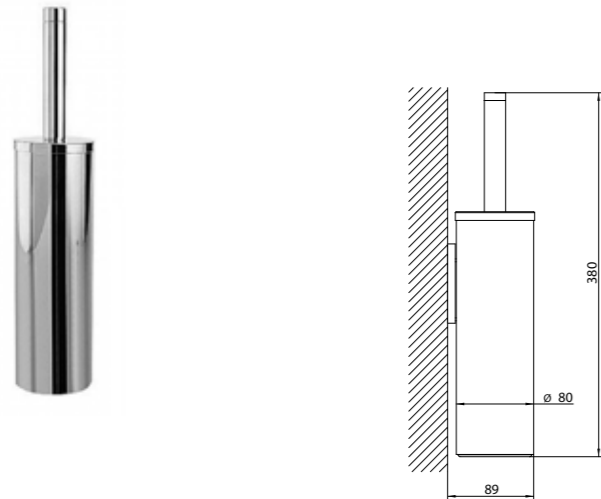
- 30025CR00
CR
- 30025IM00
BI/NE/NS/BU/BM/ON/CM/IM
- 30025NM00
OR/NM
- 30025OM00
AM/HM/OM

RICAMBI / SPARE PARTS

-  30720

30026

Porta scopino a muro. Toilet brush holder to the wall.



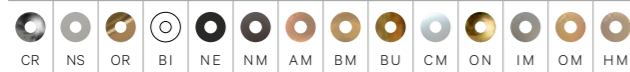
ARTICOLO COMPLETO / COMPLETE ITEM

- 30026CR00
CR
- 30026NS00
BI/NE/NS
- 30026OR00
OR

RICAMBI / SPARE PARTS

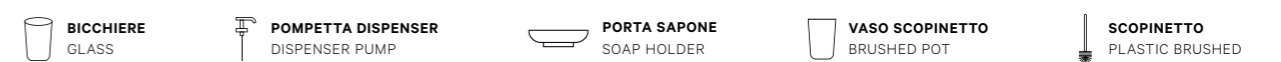
-  30720

FINITURE E COLORI / FINISHES AND COLOURS



Art. 30009CR02

ACCESSORI E RICAMBI / ACCESSORIES AND SPARE PARTS



WELLNESS
SHOWER HEAD
SHOWER ARMS
BODY JET
SLIDING RAIL
WATER SUPPLIES
SHOWER COLUMNS
HYDROBRUSHED TOILET SET
MIXER
ACCESSORIES
FURNITURE AND SPOUTS
COMPLEMENTS

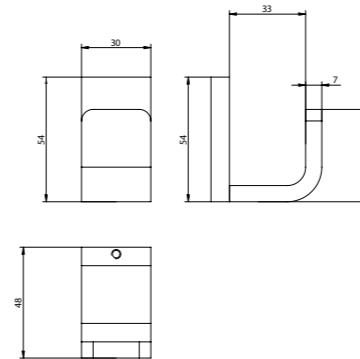
DOMINO Q
LINE

bongio

43001/DA

Porta abito.

Robe hook.



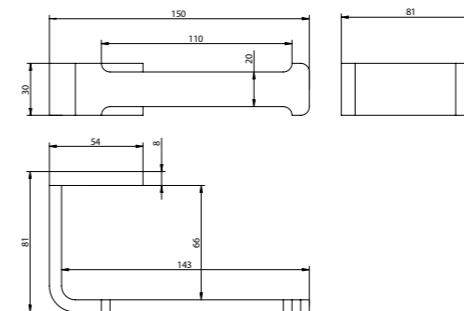
ARTICOLO COMPLETO / COMPLETE ITEM

43001CRDA
CR43001NSDA
BM/BI/NE/NS43001HMDA
OR/CM/FA/IM/OM/HM

43009/DA

Porta rotolo.

Toilet paper holder.



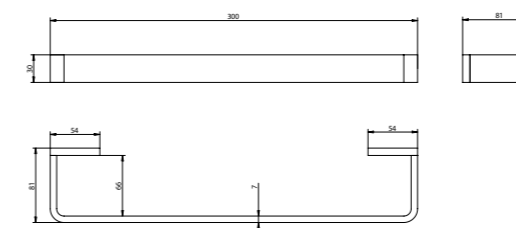
ARTICOLO COMPLETO / COMPLETE ITEM

43009CRDA
CR43009NSDA
BM/BI/NE/NS43009HMDA
OR/CM/FA/IM/OM/HM

43007/30DA

Porta asciugamano 300 mm.

300 mms. towel rail.



ARTICOLO COMPLETO / COMPLETE ITEM

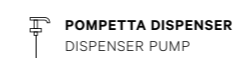
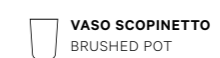
43007CR30DA
CR43007NS30DA
BM/BI/NE/NS43007HM30DA
OR/CM/FA/IM/OM/HM

Art. 43007BR30DA

FINITURE E COLORI / FINISHES AND COLOURS

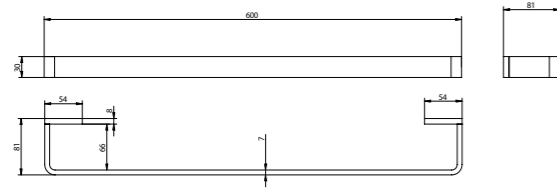


ACCESSORI E RICAMBI / ACCESSORIES AND SPARE PARTS

BICCHIERE
GLASSPOMPETTA DISPENSER
DISPENSER PUMPPORTA SAPONE
SOAP HOLDERVASO SCOPINETTO
BRUSHED POTSCOPINETTO CON MANICO
PLASTIC BRUSHED

43007/60DA

Porta asciugamano 600 mm. 600 mms. towel rail.



ARTICOLO COMPLETO / COMPLETE ITEM

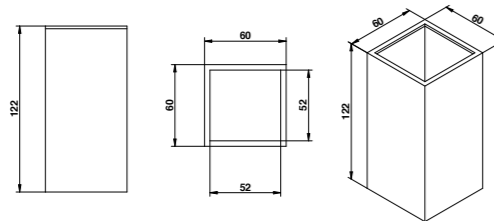
43007CR60DA
CR

43007NS60DA
BM/BI/NE/NS

43007IM60DA
OR/CM/FA/IM

43022/DA

Bicchiere da appoggio. Glass to lean.



ARTICOLO COMPLETO / COMPLETE ITEM

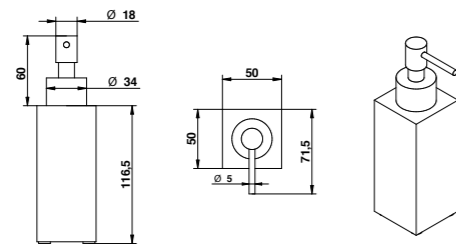
43022CRDAPR
CR

43022NSDAPR
BM/BI/NE/NS

43022OMDAPR
OR/NM/CN/FA/HM/AM/OM

43027/DA

Dispenser da appoggio. Soap dispenser to lean.D



ARTICOLO COMPLETO / COMPLETE ITEM

43027CRDAPR
CR

43027NSDAPR
BM/BI/NE/NS

43027OMDAPR
OR/NM/CN/FA/HM/AM/OM

RICAMBI / SPARE PARTS

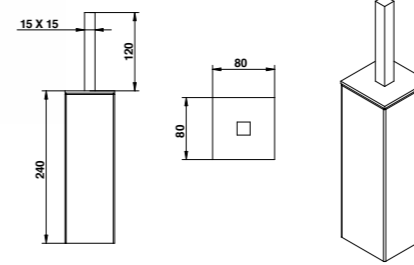
43698CR

FINITURE E COLORI / FINISHES AND COLOURS



43025/DA

Porta scopino appoggio. Toilet brush holder to lean.



ARTICOLO COMPLETO / COMPLETE ITEM

43025CRDA
CR

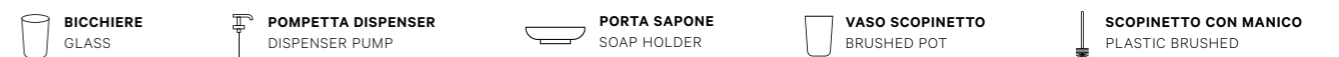
43025NSDA
BM/BI/NE/NS

43025IMDA
OR/CM/FA/IM

RICAMBI / SPARE PARTS

43720PR

ACCESSORI E RICAMBI / ACCESSORIES AND SPARE PARTS



WELLNESS
SHOWER HEAD
SHOWER ARMS
BODY JET
SLIDING RAIL
WATER SUPPLIES
SHOWER COLUMNS
HYDROBRUSHED TOILET SET
MIXER
ACCESSORIES
FURNITURE AND SPOUTS
COMPLEMENTS